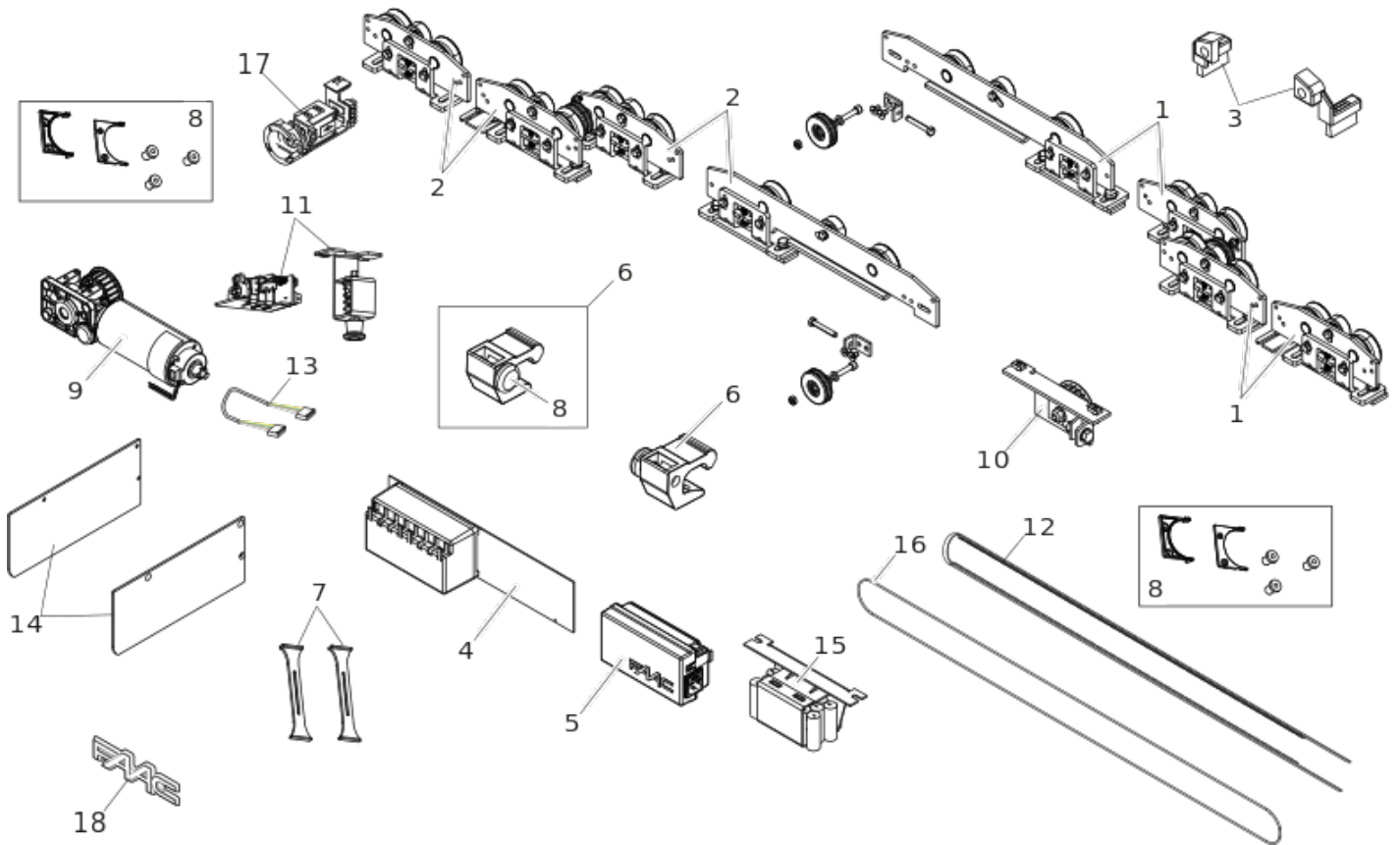


# A1400 AIR T



| Pos. | Code     | EAN           | Quantity | Replacement code | Description                            | Salable |
|------|----------|---------------|----------|------------------|--|---------|
| 1    | 63003035 | 8055195056433 | 1        |                  | A140/1400 AIR RIGHT CARRIAGE TELESC.   | yes     |
| 2    | 63003155 | 8055195033748 | 1        |                  | A140/A1400 AIR LEFT CARRIAGE TELESC.   | yes     |
| 3    | 63000022 | 8055195028690 | 1        |                  | GROUP BRUSH A140/A1400 AIR             | yes     |
| 4    | 63003484 | 8055195065411 | 1        |                  | E2SL CONTROLLER SPARE PART             | yes     |
| 5    | 63000570 | 8055195031164 | 1        |                  | A1400RD/E1SL (PSU) POW SWITCHING Spare | yes     |
| 6    | 63000021 | 8055195028683 | 2        |                  | GROUP LIMIT SWITCH A140_A1400 AIR      | yes     |
| 7    | 63000265 | 8055195029963 | 1        |                  | NR. 2 PARACHUTE CABLE                  | yes     |
| 8    | 63000573 | 8055195031195 | 1        |                  | A1400 MOTOR ACCESS.+LIMIT SWITCH CAPS  | yes     |
| 9    | 63000011 | 8055195028621 | 1        |                  | MOTOR A140/A1400 AIR                   | yes     |

| Pos. | Code     | EAN           | Quantity | Replacement code | Description                              | Salable |
|------|----------|---------------|----------|------------------|--|---------|
| 10   | 63000019 | 8055195028676 | 1        |                  | GROUP PULLEY OF RETURN A140/A1400 AIR    | yes     |
| 11   | 105502   | 8055195002157 | 1        |                  | KIT A1400 MOTOR LOCK W/RELEASE SYSTEM    | yes     |
| 12   | 105298   | 8055195001846 | 1        |                  | OPEN BELT 60mt                           | yes     |
| 13   | 63000275 | 8055195030051 | 1        |                  | DOOR ENCODER CABLE                       | yes     |
| 14   | 105030   | 8055195001297 | 1        |                  | COUPLE LATERAL PLATES A140 AIR TELESC.   | yes     |
| 15   | 105504   | 8055195002164 | 1        |                  | E1SL COMPACT BACK-UP BATTERY             | yes     |
| 16   | 105027   | 8055195001266 | 1        |                  | A140 AIR TELESCOPICSTEEL WIRE Ø3MM.30MT. | yes     |
| 17   | 105056   | 8055195051278 | 1        |                  | XM LOCK MOTOR LOCK                       | yes     |
| 18   | 63003465 | 8055195064797 | 1        |                  | FAAC plate for Automatic Doors           | yes     |