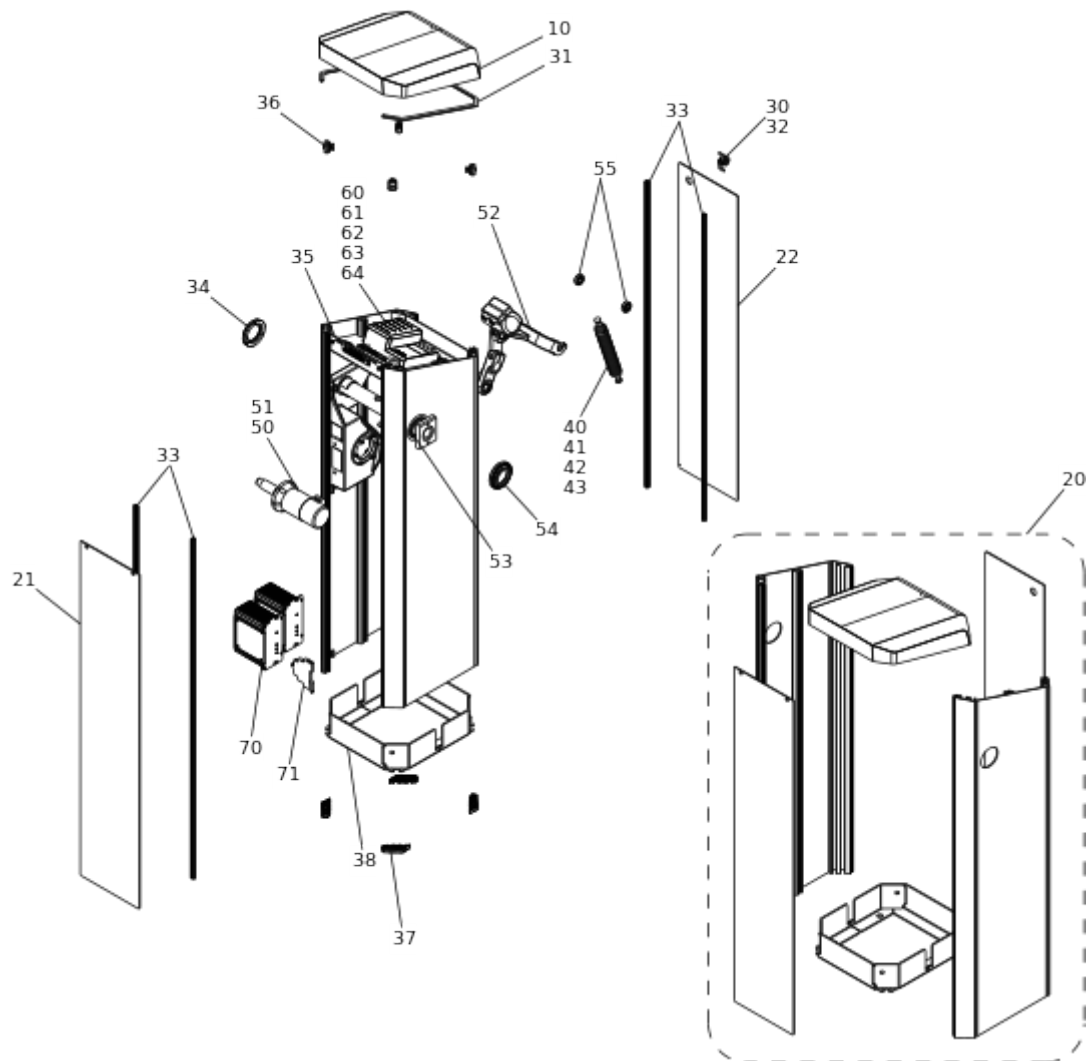


General view



Pos.	Code	EAN	Quantity	Replacement code	Description	Salable
10	SH01		1		Top cover orange, RAL 2000 (complete)	yes
20	SGT01		1		Housing TOLL and TOLL Pro, orange, RAL 2000 (complete, doors black grey similar RAL 7021)	yes
21	TVT01		1		Front door TOLL and TOLL Pro (without screws)	yes
22	THT01		1		Rear door TOLL, TOLL Pro, TOLL HighSpeed (without lock)	yes
30	GTS01		1		Lock complete, no. 18 (incl. deadbolt and 2 keys)	yes
31	DH01		1		Sealing profile for top cover	yes
32	GTS02		2		Keys, no. 18 (2 pieces)	yes

Pos.	Code	EAN	Quantity	Replacement code	Description	Salable
33	TFS04		1		Door guiding rails for all models, colour RAL 3020 (red), can be shortened individually, set of 4 pieces	yes
34	SDK01		1		Side cover with logo, complete (ring, logo and disc)	yes
35	MPOB		1		Upper mounting plate (where control unit MGC / MGC Pro is mounted)	yes
36	PCSNUTS01		1		Set sliding blocks and Precote® screws for housing MicroDrive	yes
37	KSF01		4		Plastic stands housing bottom for barriers and Terminal MXL/MXXL (4 pcs.)	yes
38	BWS01		2		Base bracket set for barrier housing (2 pieces)	yes
40	FE012		2		Balancing spring weak (2 pieces)	yes
41	FE022		2		Balancing spring strong (2 pieces)	yes
42	FE0110		10		Balancing spring weak (10 pieces)	yes
43	FE0210		10		Balancing spring strong (10 pieces)	yes
50	MOT244AE100		1		Motor for Access, Access Pro, Parking, Parking Pro, Toll, Toll Pro and Traffic H1SE	yes
51	MOT144AE106		1		Motor for Toll Pro 2	yes
52	HS01		1		Set of levers completely assembled for: Access, Access Pro, Parking, Parking Pro, Toll, Toll Pro, Toll Pro 2, Toll HighSpeed	yes
53	FLRLAG		1		Bearing and counter bearing	yes
54	DRF01		1		Gasket ring flange shaft	yes
55	LFT10		10		Bearings for spring traverse top (set of 10 ball bearings)	yes

Pos.	Code	EAN	Quantity	Replacement code	Description	Salable
60	MGC		1		Controller MGC with 2-channel loop detector module, MGC-A-100-0001	yes
61	MGCPRO		1		Controller DC MGC-PRO with 2-channel loop detector module, MGC-PRO-A-100-0001	yes
62	MGCTOLL		1		Controller MGC without detector module, MGC-A-100-0000	yes
63	MGCST01		1		Set of connectors for control units MGC/MGC Pro	yes
64	MGCDU01		1		Display unit for MGC	yes
70	VE01		1		standard power supply unit	yes
71	HSS02		1		2-pole main switch	yes