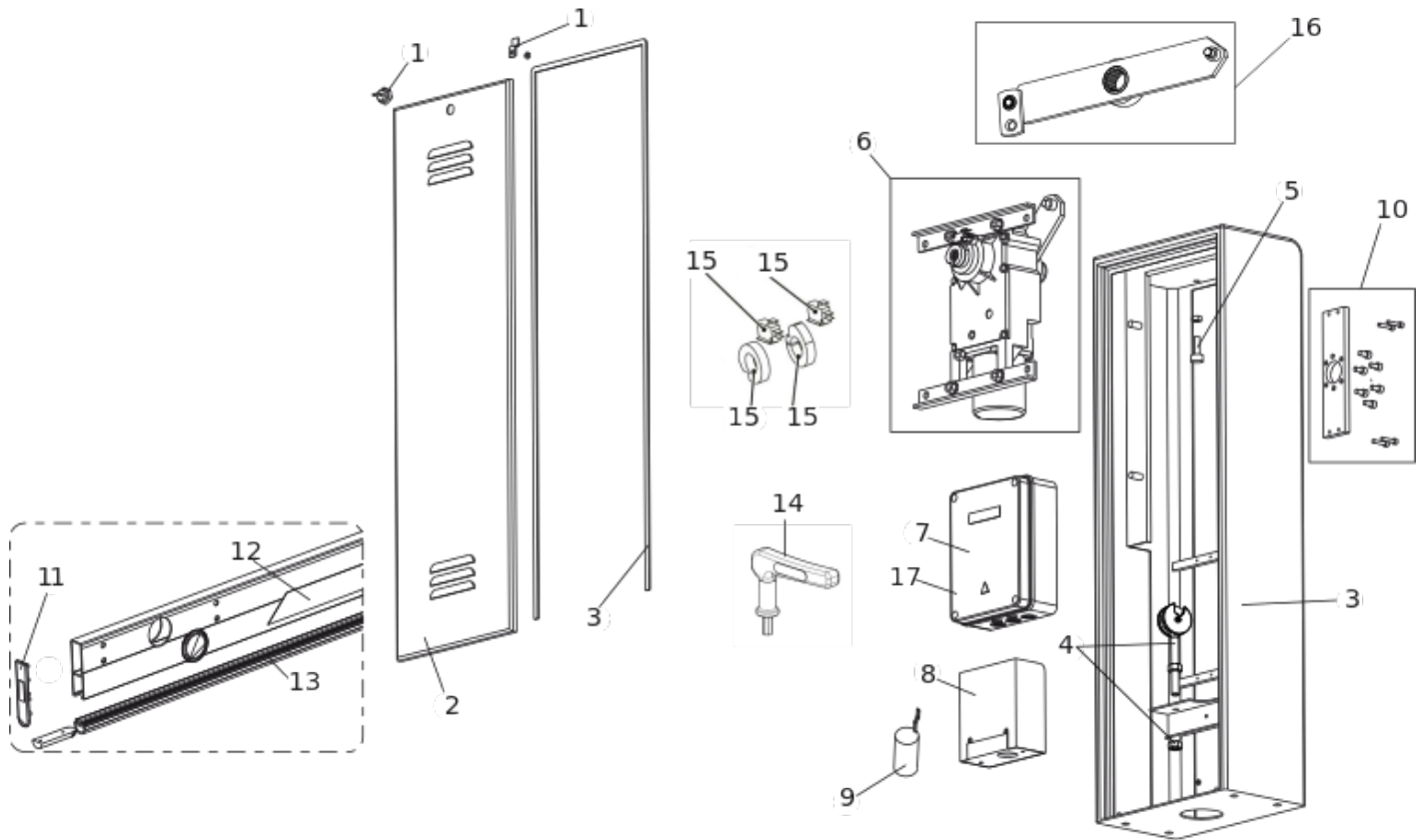


SPIN 4



Pos.	Code	EAN	Quantity	Replacement code	Description	Salable
1	00058P2227	8055195041859	1		LOCK FOR SPIN - JA209-	yes
2	00058P2068	8055195041392	1		HATCH FOR SPIN 3/4	yes
3	00058P2069	8055195041408	1		HOOD FOR SPIN 3/4	yes
4	721160	8055195011432	1		617/SPIN BRACKET FOR SPRING	yes
5	7019285	8055195022001	2		BEAM SCREW STROKE ADJUSTMENT	yes
6	00058P2041	8055195041378	1		MOTOR FOR SPIN 4	yes
7	JA320	8055195042542	1		ECOBX WITH BRAND	yes
8	00058P2023	8055195041309	1		BASE AND COVER FOR SLIDING CONTROL BOARD	yes
9	7601252	8055195025927	1		12,5 uF CAPACITOR*F0120*	yes
10	00058P2187	8055195041774	1		FIXING PLATE FOR STAFF FOR SPIN 3/4	yes

Pos.	Code	EAN	Quantity	Replacement code	Description	Salable
11	7119215	8055195023114	1		BEAM END CAP	yes
12	6100201	8055195019964	1		KIT OF 6 STICKERS WITH GENIUS BRAND	yes
13	63003265	8055195046915	1		RECTANGULAR BEAM RUBBER PROFILE 50 M.	yes
14	00058P2081	8055195041415	1		RELEASE KEYS	yes
15	63003168	8055195033861	1		617-SPIN LIMIT SWITCHES	yes
16	00058P2190	8055195041781	1		BALANCER PLATE FOR FIXING SPRING SPIN3-4	yes
17	6100240	8055195020076	1		LYNX 06- 230V	yes