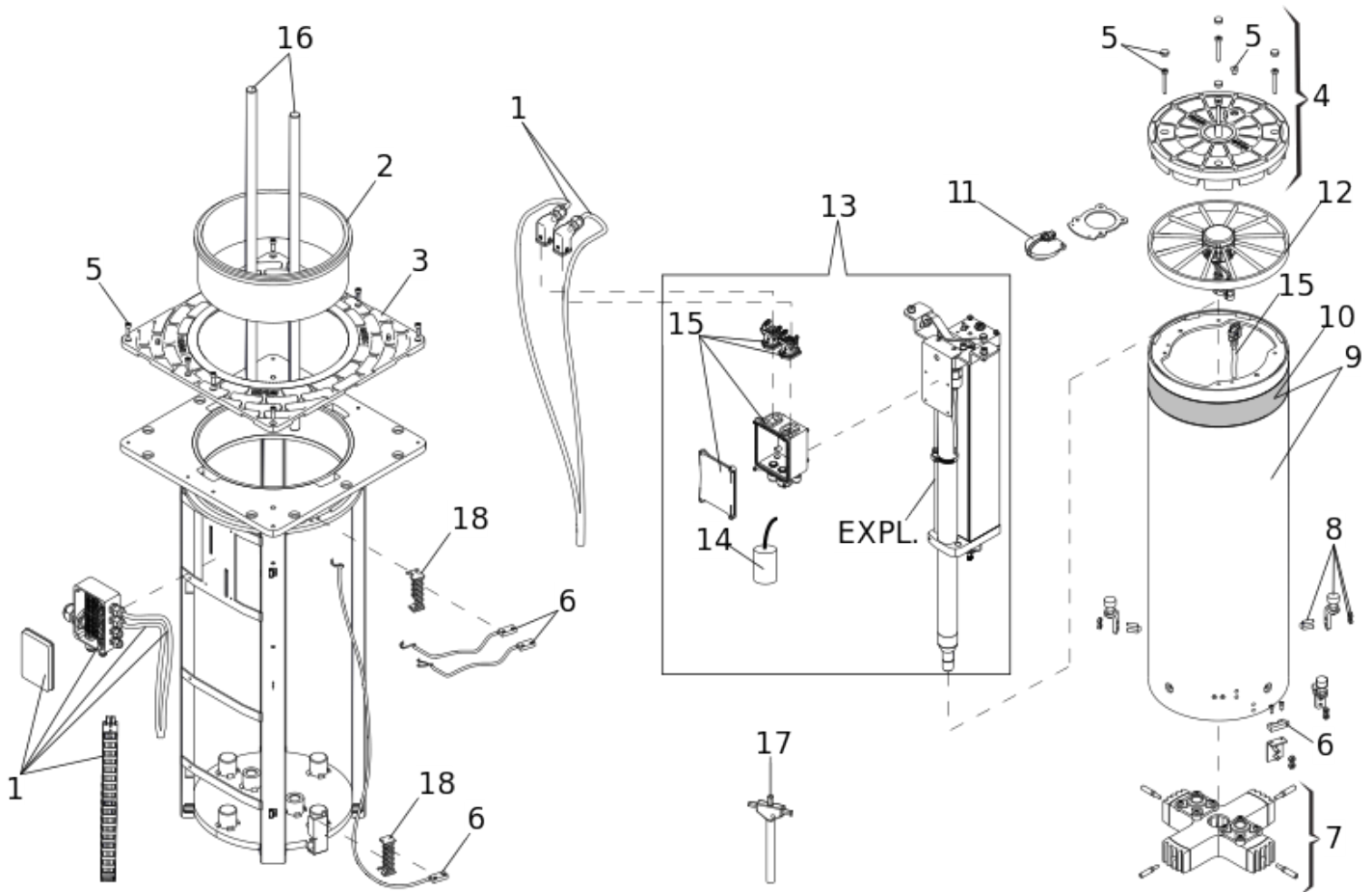


J275 HA V2 H800



Pos.	Code	EAN	Quantity	Replacement code	Description	Salable
1	63000957	8055195032086	1		ASSEMBLY WIRED J275HA	yes
2	63002255	8055195033175	1		TOP BUSH FOR J275HH	yes
3	63003393	8055195061697	1		COVER FOR J275 (RILSAN)	yes
4	63003394	8055195061680	1		J275 HA HEAD (RILSAN)	yes
5	63003396	8055195061710	1		J275 ACCESSORIES (2020)	yes
6	63002215	8055195033137	1		END STOP CONTACT ASS. - J275HA	yes
7	63000896	8055195031959	1		GUIDE CARRIAGE J275HA	yes
8	63002225	8055195033144	4		END STOP PUFFERT ASS. - J275HA	yes

Pos.	Code	EAN	Quantity	Replacement code	Description	Salable
9	63000936	8055195032048	1		CILINDER W/STICKER J275HA H800	yes
10	63000167	8055195029345	1		YELLOW REFLECTING STICKER FOR J275HA	yes
11	63000593	8055195031324	1		J275HA WIRED BUZZER	yes
12	63000594	8055195031331	1		J275 LED LAMP	yes
13	63000541	8055195030983	1		ACTUATOR COMPLETE J275 HA_V2 H800	yes
14	7601201	8055195025910	1		PP CAP.16 MF 230VAC WIRE 180MM	yes
15	63000178	8055195029444	1		NEW JUNCTION BOX HYDRAULIC UNIT J275HA	yes
16	63002595	8055195033373	1		GUIDE ROD MOVING BOLLARD H800	yes
17	63000281	8055195030105	1		J200HA RELEASE KEY	yes
18	63000228	8055195029673	2		J275HA REED SENSORS SUPPORT	yes