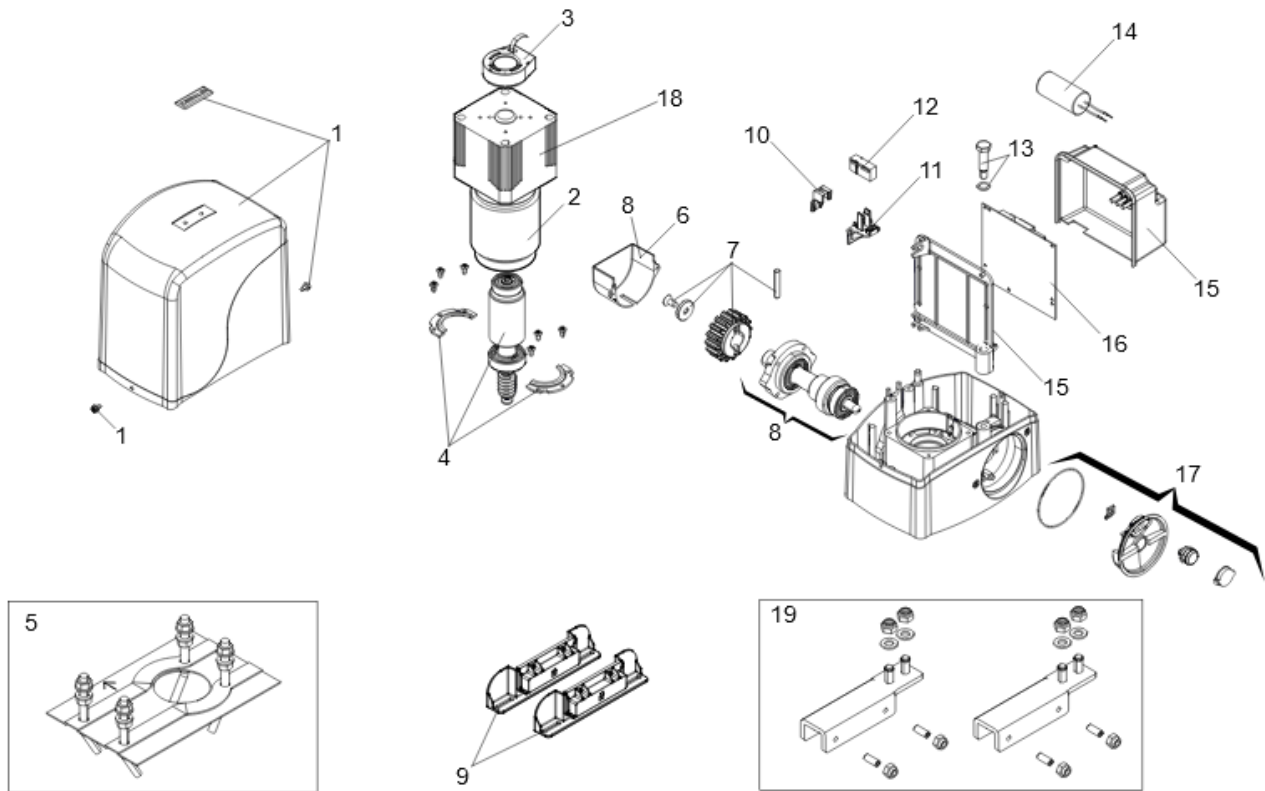


FALCON 5



Pos.	Code	EAN	Quantity	Replacement code	Description	Salable
1	6020148	8055195016949	1		UPPER AND LOWER COVER FOR FALCON	yes
2	00058F0188X	8055195040401	1		STATOR 80X45X70 4POLES LG.450 230V	yes
3	6100013	8055195019230	1		ENCODER FOR SLIDING GATES	yes
4	6020154	8055195016970	1		ROTOR GROUP FOR FALCON 5-5C	yes
5	6020150	8055195016963	1		FOUNDATION PLATE	yes
6	6020149	8055195016956	1		HAND PROTECTION	yes
7	719130	8055195011111	1		Z16 RACK PINION	yes
8	6020350	8055195017861	1		LOW SHAFT SCREW M10 SPARE PART	yes
9	6020663	8055195019193	1		GENIUS SCREW MAGNETS	yes
10	6020319	8055195017663	1		CAP FOR FALCON 5-8-424	yes
11	6020318	8055195017656	1		SENSOR SUPPORT FOR FALCON 5-8-424	yes
12	63001025	8055195032338	1		740/741/BLIZZARD REED SENSOR	yes
13	6020077	8055195016819	1		FASTENING SCREW FOR CONTROL BOA	yes
14	760024	8055195012279	1		10µF MKA 450V CAPACITOR	yes
15	6020167	8055195017076	1		BOX FOR CONTROL BOARD	yes
16	202269	8055195006445	1		740D/SPRINT382 CONTROL BOARD	yes
17	6020065	8055195016741	1		RELEASING KNOB COMPLETE WITH LOCK	yes
18	00058P2101	8055195041507	1		MOTOR CAP F0524	yes
19	6100343	8055195020632	1		KIT SCREWS LIMIT SWITCH SLIDING	yes