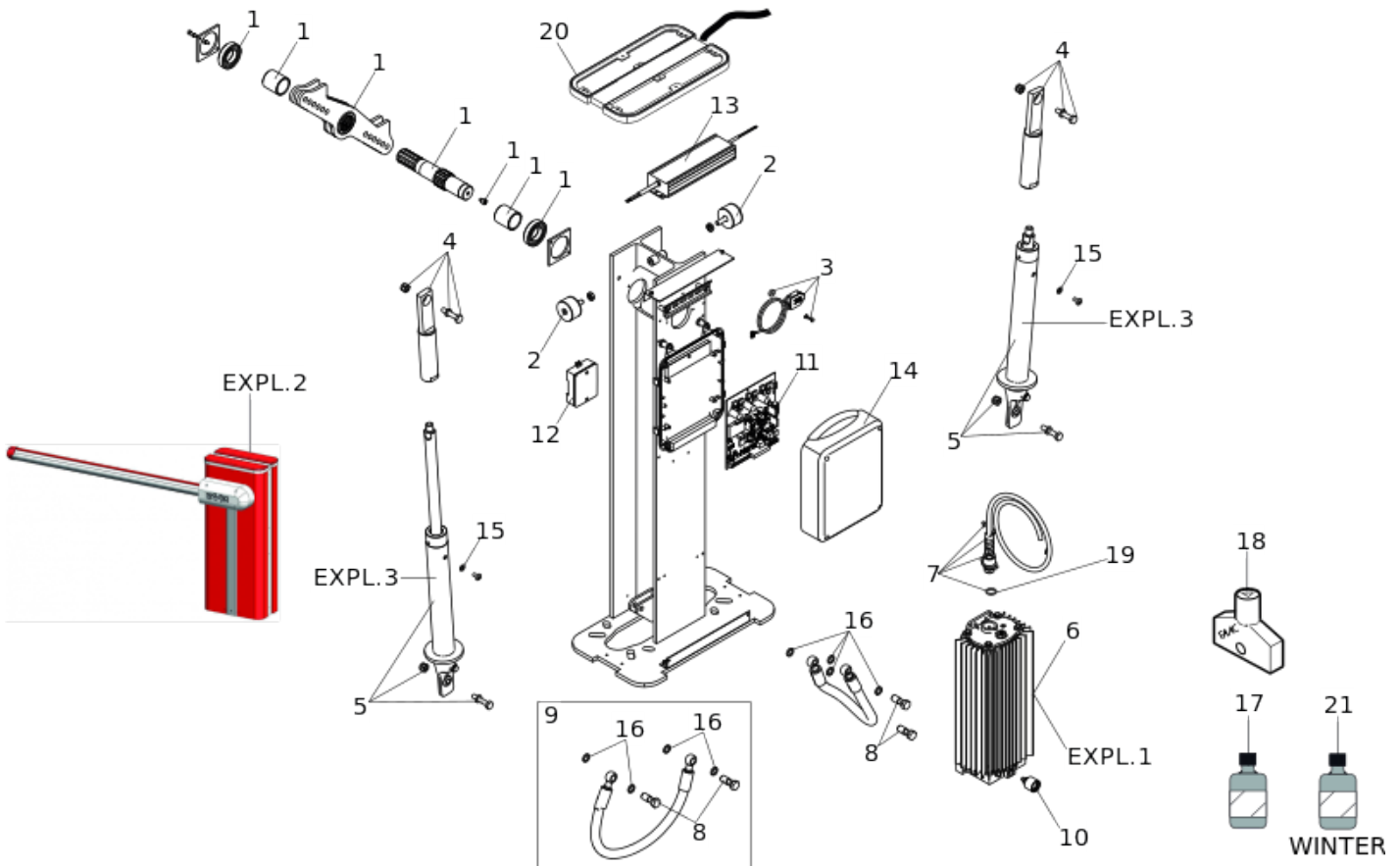


# B680H



Pos.	Code	EAN	Quantity	Replacement code	Description	Salable
1	63003306	8055195057560	1		B680H COMPLETE MOTION GROUP	yes
2	63000131	8055195029093	2		LIMIT ADJUSTMENT MX50-30BB FAAC	yes
3	63001009	8055195032253	1		B680H ENCODER GROUP UL/CSA	yes
4	63000109	8055195028959	2		FORK GROUP WITH JOINT	yes
5	63000133	8055195029116	2		B680H COMPLETE CYLINDER Ø25	yes
6	63000129	8055195029086	1		B680H HYDRAULIC UNIT	yes
7	63000113	8055195028973	1		KIT FEMALE CONNECTOR	yes
8	7110115	8055195023022	4		SW.G.RAM 750 CAP 1-8 KEY 13 H29,5	yes

Pos.	Code	EAN	Quantity	Replacement code	Description	Salable
9	63000112	8055195028966	2		FLEXIBLE PIPE GROUP OCC/OCC	yes
10	63003451	8055195063042	1		B680H RELEASE GROUP (2021)	yes
11	63003452	8055195063172	1		E680S BOARD	yes
12	63000214	8055195029604	1		CONNECTOR BLOCK BOX (XR2)	yes
13	63000119	8055195029017	1		B680H FEEDER GROUP	yes
14	63000139	8055195029161	1		B680H ELECTRIC BOX COVER	yes
15	7094145	8055195022704	2		400/003/4490 BONDED SEAL	yes
16	63003231	8055195043648	8		BONDED SEAL 1/8 GAS CENT. 89096 DICKTOMA	yes
17	714017	8055195010923	2		FAAC HP OIL LT.1	yes
18	713002	8055195010886	1		402 RELEASE KEY	yes
19	7090290015	8055195040227	1		O'RING SEAL 15,6X1,78	no
20	410033	8055195054446	1		B680H INTEGRATED LAMP	yes
21	714042	8055195063998	1		FAAC HP2 OIL - 160Kg/188	yes