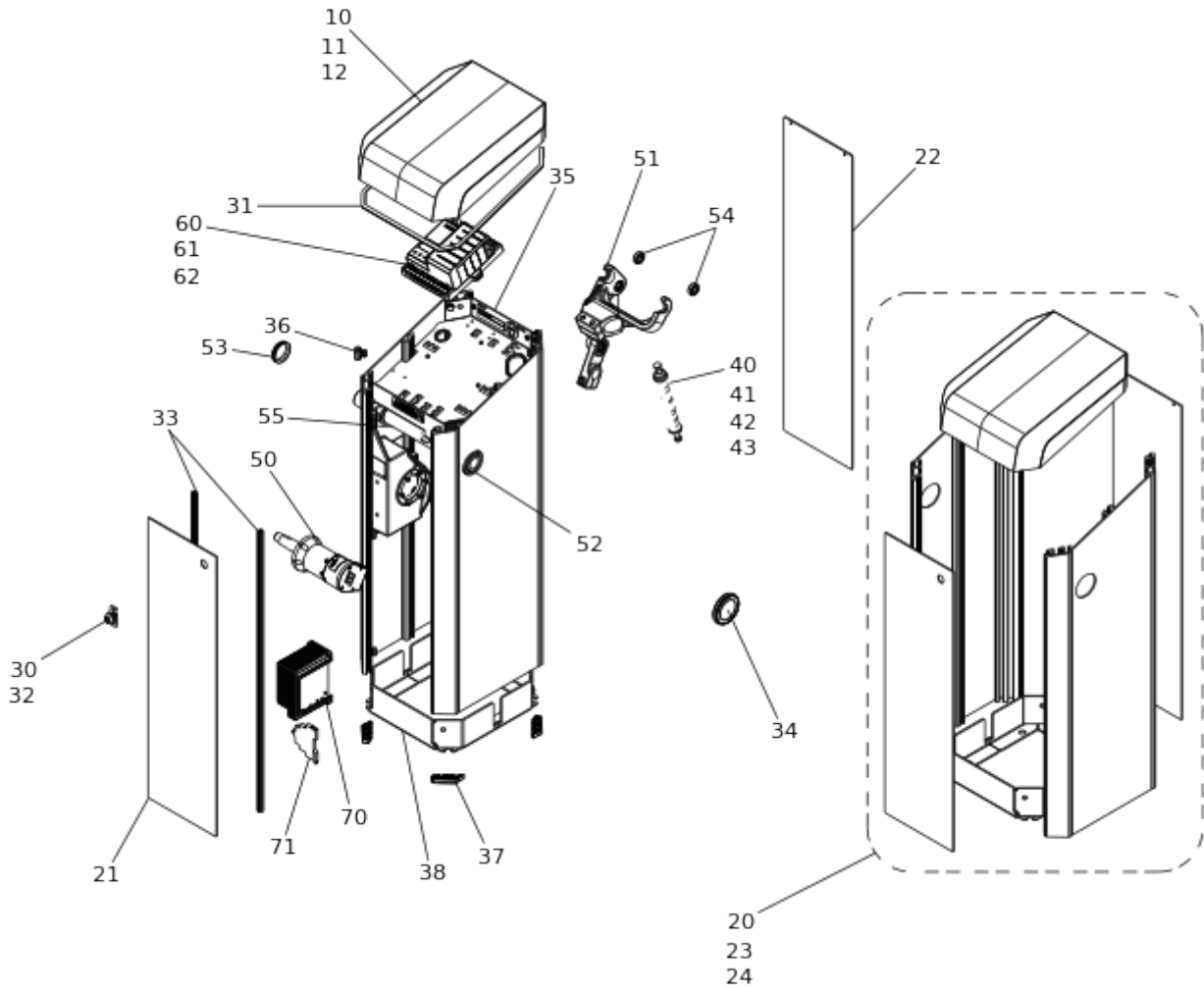


General view



Pos.	Code	EAN	Quantity	Replacement code	Description	Salable
10	SH01		1		Top cover orange, RAL 2000 (complete)	yes
11	SH02		1		Top cover white aluminium, RAL 9006 (complete)	yes
12	SH03		1		Top cover grey aluminium, similar RAL 9007 (complete)	yes
20	SG01		1		Housing orange, RAL 2000 (complete, doors black grey similar RAL 7021)	yes
21	TVN01		1		Front door with imprint (without lock)	yes
22	THN01		1		Rear door	yes

Pos.	Code	EAN	Quantity	Replacement code	Description	Salable
23	SG02		1		Housing white aluminium, RAL 9006 (complete, doors black grey similar RAL 7021)	yes
24	SG03		1		Housing grey aluminium, similar RAL 9007 (complete, doors black grey similar RAL 7021)	yes
30	GTS01		1		Lock complete, no. 18 (incl. deadbolt and 2 keys)	yes
31	DH01		1		Sealing profile for top cover	yes
32	GTS02		2		Keys, no. 18 (2 pieces)	yes
33	TFS04		4		Door guiding rails for all models, colour RAL 3020 (red), can be shortened individually, set of 4 pieces	yes
34	SDK01		1		Side cover with logo, complete (ring, logo and disc)	yes
35	MPOB		1		Upper mounting plate (where control unit MGC / MGC Pro is mounted)	yes
36	PCSNUTS01		1		Set sliding blocks and Precote® screws for housing MicroDrive	yes
37	KSF01		4		Plastic stands housing bottom for barriers and Terminal MXL/MXXL (4 pcs.)	yes
38	BWS01		2		Base bracket set for barrier housing (2 pieces)	yes
40	FE012		2		Balancing spring weak (2 pieces)	yes
41	FE022		2		Balancing spring strong (2 pieces)	yes
42	FE0110		10		Balancing spring weak (10 pieces)	yes
43	FE0210		10		Balancing spring strong (10 pieces)	yes

Pos.	Code	EAN	Quantity	Replacement code	Description	Salable
50	MOT245AE100		1		Motor for Access Pro-L, Access Pro-H and Traffic H1LE	yes
51	HS02		1		Set of levers completely assembled for Access-L, Access Pro-L and Access Pro-H	yes
52	FLRLAG		1		Bearing and counter bearing	yes
53	DRF01		1		Gasket ring flange shaft	yes
54	LFT10		10		Bearings for spring traverse top (set of 10 ball bearings)	yes
55	FLR01		1		Standard flange tube for:	yes
60	MGCPRO		1		Controller DC MGC-PRO with 2-channel loop detector module, MGC-PRO-A-100-0001	yes
61	MGCST01		1		Set of connectors for control units MGC/MGC Pro	yes
62	MGCDOU01		1		Display unit for MGC	yes
70	VE01		1		standard power supply unit	yes
71	HSS02		1		2-pole main switch	yes