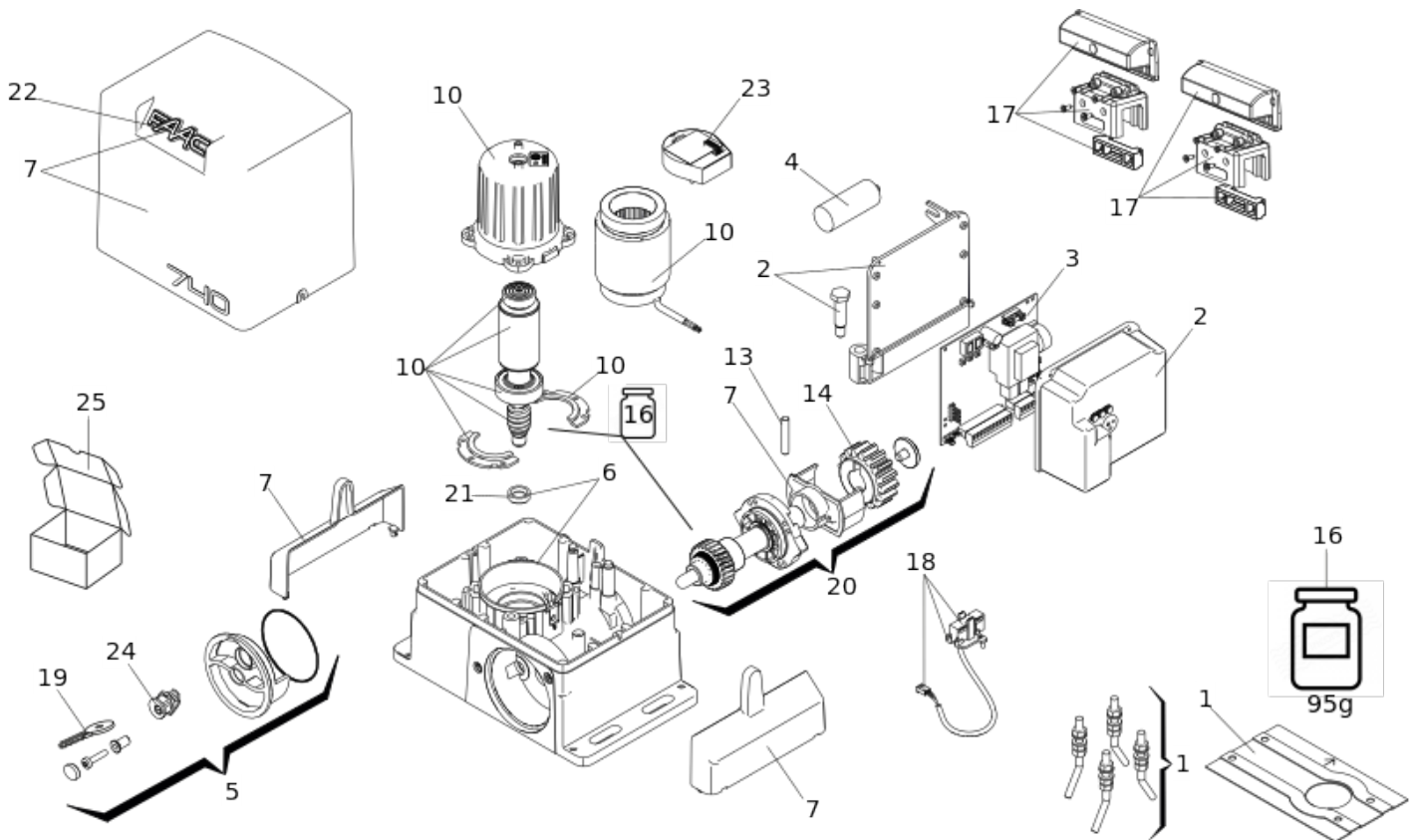


740 230V



Pos.	Code	EAN	Quantity	Replacement code	Description	Salable
1	63003319	8055195057683	1		740/741 FOUNDATION PLATE GROUP	yes
2	720253	8055195011302	1		740/741 CONTROL UNIT CONTAINER KIT	yes
3	202269	8055195006445	1		740D/SPRINT382 CONTROL BOARD	yes
4	760024	8055195012279	1		10µF MKA 450V CAPACITOR	yes
5	729014	8055195011876	1		740/741 UNCLAMPING KNOB + CAP	yes
6	63000508	8055195030853	1		741 BODY WITH BUSH	yes
7	63003321	8055195057690	1		740/741 COVER GROUP AND HAND PROTECTION	yes
10	63003244	8055195043754	1		740 MOTOR - 2017	yes
13	7061115	8055195022247	1		PIN 8X45 RIC.UNI EN22338	yes
14	719130	8055195011111	1		Z16 RACK PINION	yes

Pos.	Code	EAN	Quantity	Replacement code	Description	Salable
16	714034	8055195010954	1		FAAC MULTIPURPOSE GREASE 18KG	yes
17	63001035	8055195032352	1		MAGNETIC LIMIT SWITCH GROUP	yes
18	63001025	8055195032338	1		740/741/BLIZZARD REED SENSOR	yes
19	7131005	8055195023213	1		KEY MOD. 3889.0913	yes
20	63000509	8055195030860	1		740-741 NEW GROUP SHAFT	yes
21	63000160	8055195056303	1		BUSHING FOR 740 741 BODY	yes
22	7324745	8055195025187	1		2003 FAAC LOGO	yes
23	404019	8055195008234	1		748D ENCODER	yes
24	7120885	8055195023183	1		LOCK ART.3889.3	yes
25	113222	8055195003949	1		SPARE PACKAGING GEARMOTOR 740/741	yes