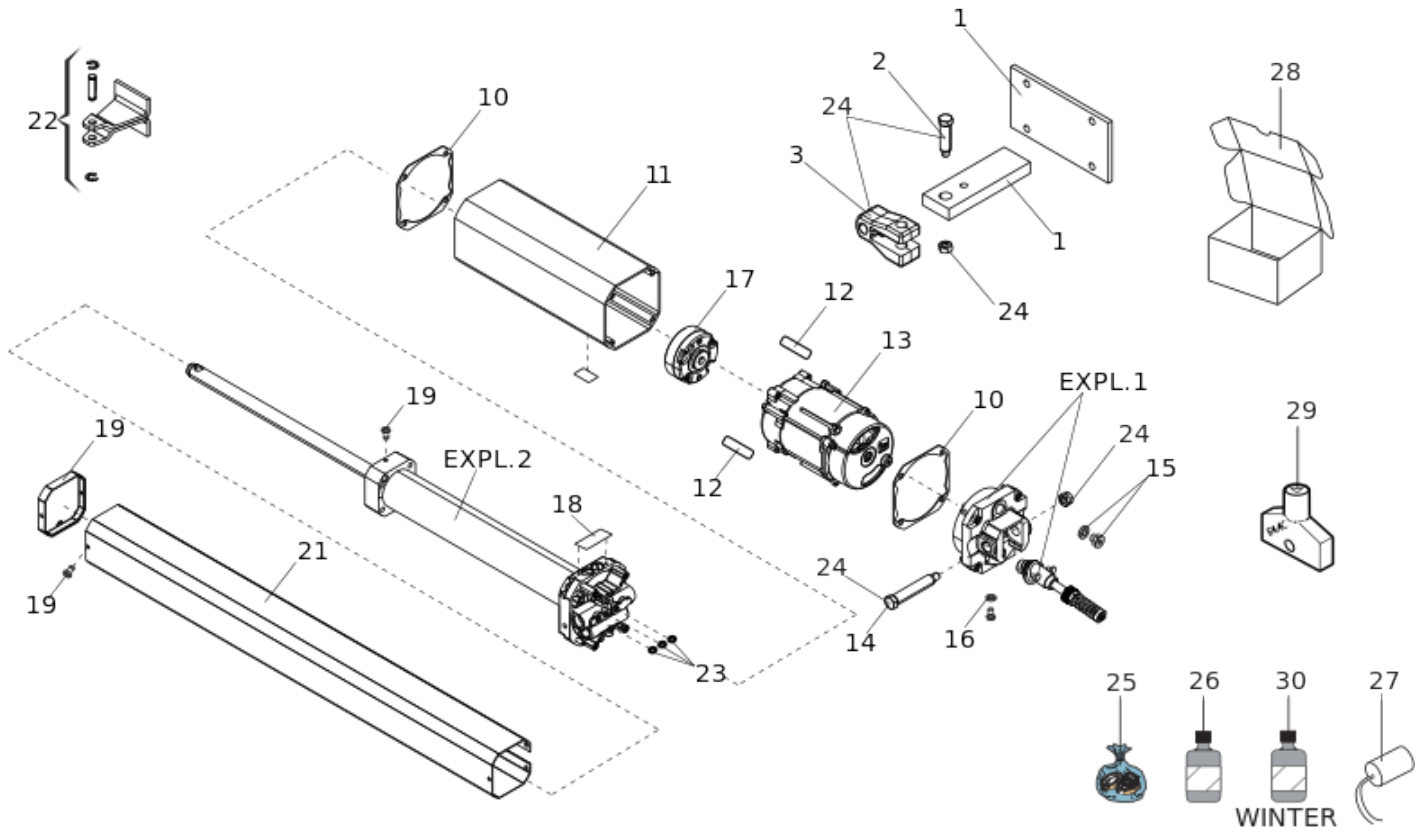


402 CBC



Pos.	Code	EAN	Quantity	Replacement code	Description	Salable
1	72840065	8055195034561	1		PLATE AND REAR BRACKET	yes
2	7182075	8055195023527	1		SW.G.O.400 SHORT PIN	yes
3	7228015	8055195024395	1		DIE-CAST REAR FORK	yes
10	70991015	8055195033953	2		GASKET FOR TANK 84,7 X 84,7 mm	yes
11	7450005	8055195025583	1		402 TANK	yes
12	63003303	8055195057539	1		400/402/422 VIBRATION ISOLATION MOUNTING	yes
13	7700055	8055195025972	1		MOTOR 220V 4P. SINGLE PHASE WITH THERMAL	yes
14	7182175	8055195023558	1		SW.G.O.400-402 LONG PIN	yes
15	7110015	8055195022995	1		CAP	yes

Pos.	Code	EAN	Quantity	Replacement code	Description	Salable
16	7094065	8055195022667	1		COPPER WASHER 7X4X1	yes
17	3204425	8055195015010	1		CAST-IRON PUMP LT.1 WITH INTEGRATED DIST	yes
18	7203275	8055195023831	1		BY-PASS PROTECTION MOBILE CE97	yes
19	63003304	8055195057546	1		402/422 COVER ACCESSORIES	yes
21	7272085	8055195024692	1		402 COVER	yes
22	4304015	8055195015652	1		402 FRONT BRACKET	yes
23	7090010015	8055195040074	3		GASKET OR 4.48X1.78 (2018)	yes
24	4900645	8055195015768	1		SWING GATE OPERATOR ALUMINUM FORK KIT	yes
25	390781	8055195051186	1		SEAL KIT FOR 402/2004	yes
26	714017	8055195010923	1		FAAC HP OIL LT.1	yes
27	7601351	8055195025941	1		CAPACITOR 8MF 400VAC CABLE 250MM	yes
28	63000631	8055195060805	1		402/402/422/S450H PACKAGING	yes
29	713002	8055195010886	1		402 RELEASE KEY	yes
30	714042	8055195063998	1		FAAC HP2 OIL - 160Kg/188	yes