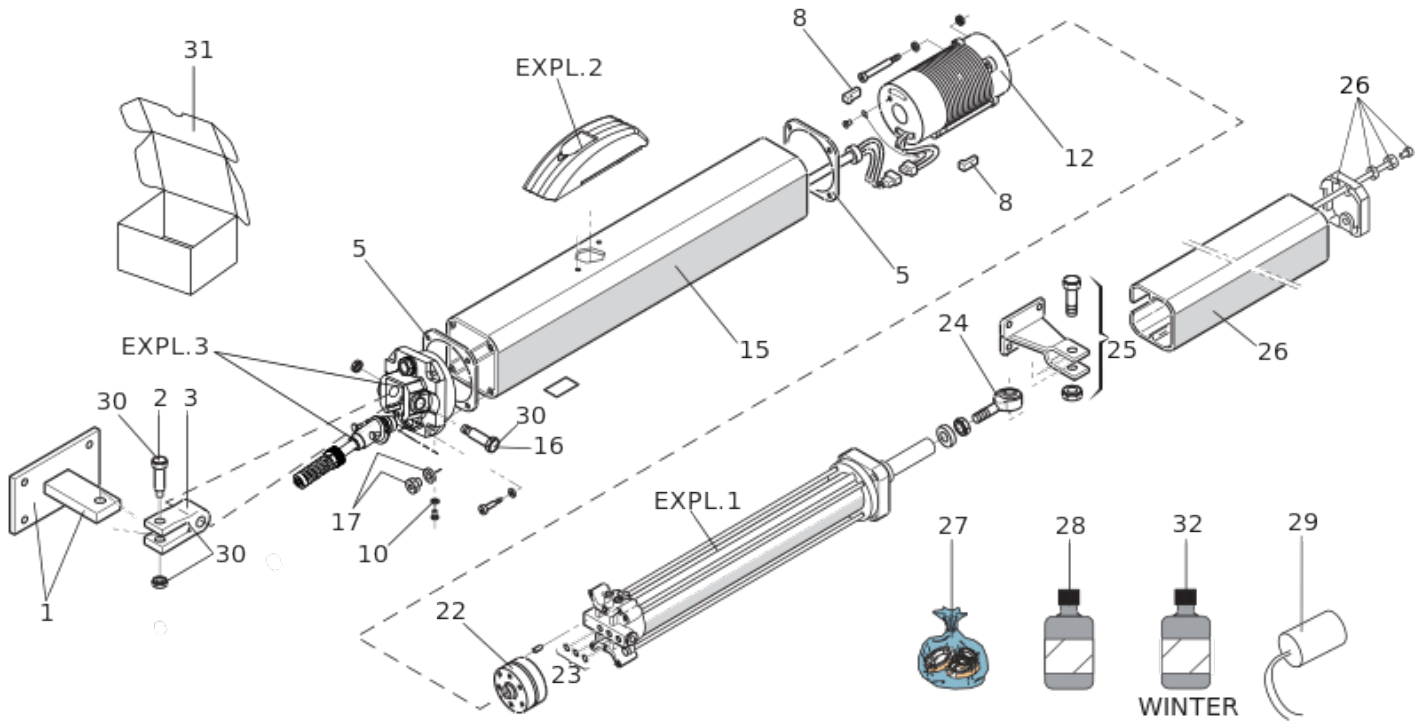


400 SBS



Pos.	Code	EAN	Quantity	Replacement code	Description	Salable
1	72840065	8055195034561	1		PLATE AND REAR BRACKET	yes
2	7182075	8055195023527	1		SW.G.O.400 SHORT PIN	yes
3	7228015	8055195024395	1		DIE-CAST REAR FORK	yes
5	70991015	8055195033953	2		GASKET FOR TANK 84,7 X 84,7 mm	yes
8	63003303	8055195057539	1		400/402/422 VIBRATION ISOLATION MOUNTING	yes
10	7094065	8055195022667	1		COPPER WASHER 7X4X1	yes
12	7700055	8055195025972	1		MOTOR 220V 4P. SINGLE PHASE WITH THERMAL	yes
15	7161825	8055195023305	1		400 OPERATOR TANK 2005	yes
16	7182175	8055195023558	1		SW.G.O.400-402 LONG PIN	yes
17	7110015	8055195022995	1		CAP	yes

Pos.	Code	EAN	Quantity	Replacement code	Description	Salable
22	3204435	8055195015027	1		PUMP LT. 0,75 C/INTEGRATED DISTAN.	yes
23	7090010015	8055195040074	3		GASKET OR 4.48X1.78 (2018)	yes
24	7073025	8055195022308	1		M12 MALE BALL-AND-SOCKET JOINT	yes
25	7220355	8055195024067	1		SW.G.O.400/87 FRONT FASTENING	yes
26	63003331	8055195057782	1		400 COVER GROUP	yes
27	490329	8055195051179	1		SEAL KIT 400 2005	yes
28	714017	8055195010923	2		FAAC HP OIL LT.1	yes
29	7601351	8055195025941	1		CAPACITOR 8MF 400VAC CABLE 250MM	yes
30	4900645	8055195015768	1		SWING GATE OPERATOR ALUMINUM FORK KIT	yes
31	63000631	8055195060805	1		402/402/422/S450H PACKAGING	yes
32	714042	8055195063998	1		FAAC HP2 OIL - 160Kg/188	yes